



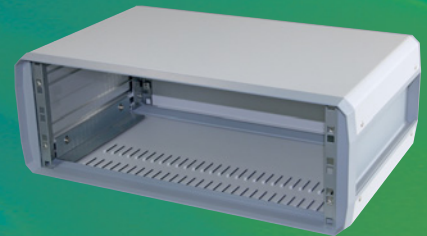
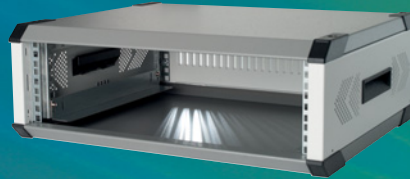
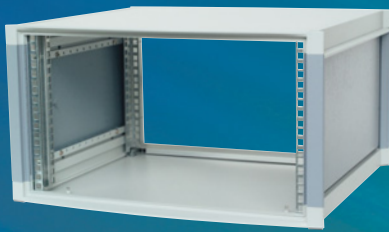
19" enclosure systems



... the perfect shell for valuable electronics



19" enclosure systems



ZENITH 2.0

page 27

- striking design
- invisible ventilation
- integrated handle section
- 1/2 19" version available
- IP 42/20

Vitaro

page 31

- universal enclosure system
 - 19" enclosure
 - universal enclosure
 - wall-mounting enclosure
- extremely short assembly time
- special fixing system; no screws required for assembly
- IP 20

apra line

page 37

- removable cover parts
- integrated handle
- also available as desktop enclosure
- IP 20/30



apraTeK

page 46

- solid welded design for high mechanical requirements
- integrated handle
- IP 20

apraLITE

page 48

- quickly dismantlable
- light construction
- integrated handle
- 1/2 19" version available
- IP 20/30



exceptional
functionality

ZENITH_{2.0}



Sample configuration:
enclosure with viewing door and solid rear panel



19" enclosure system ZENITH_{2.0}

- future-oriented, functional design
- integrated side handle bar
- integrated "invisible" ventilation
- individual division by depth grids possible
- modular construction
- can be used as a 19" cabinet system up to 18 U
- installation dimensions acc. to IEC 60297-3-100

All individual pieces of the frame construction are designed for easy handling and high flexibility.

When developing these enclosures, apra focused on long lifetime and solid construction and protecting components from external influences. The advanced design with a high recognition rate and functionality distinguishes this enclosure and sets the standard for its competition.

The exceptional processing, which ranges from technical sophistication to quality details, supplements this optimum enclosure design.

Matching 19" plug-in units → see page 65

Matching 19" subracks → see page 79



19" enclosure system ZENITH 2.0

Technical information

Application:

19" plug-in units, shelves and 19" sub-racks can be installed in the enclosure. As available up to 18 U of space it can also be used as a cabinet system.

Construction:

solid structure consisting of front and rear aluminium die-cast frames and extruded sections. The side walls and top panels are protected against access from outside and can be demounted from inside! An "invisible" passive ventilation system is integrated in all enclosures.

Finish:

frames and top panels:
RAL 7035 light grey
vertical extrusions and side panels:
RAL 7001 silver grey

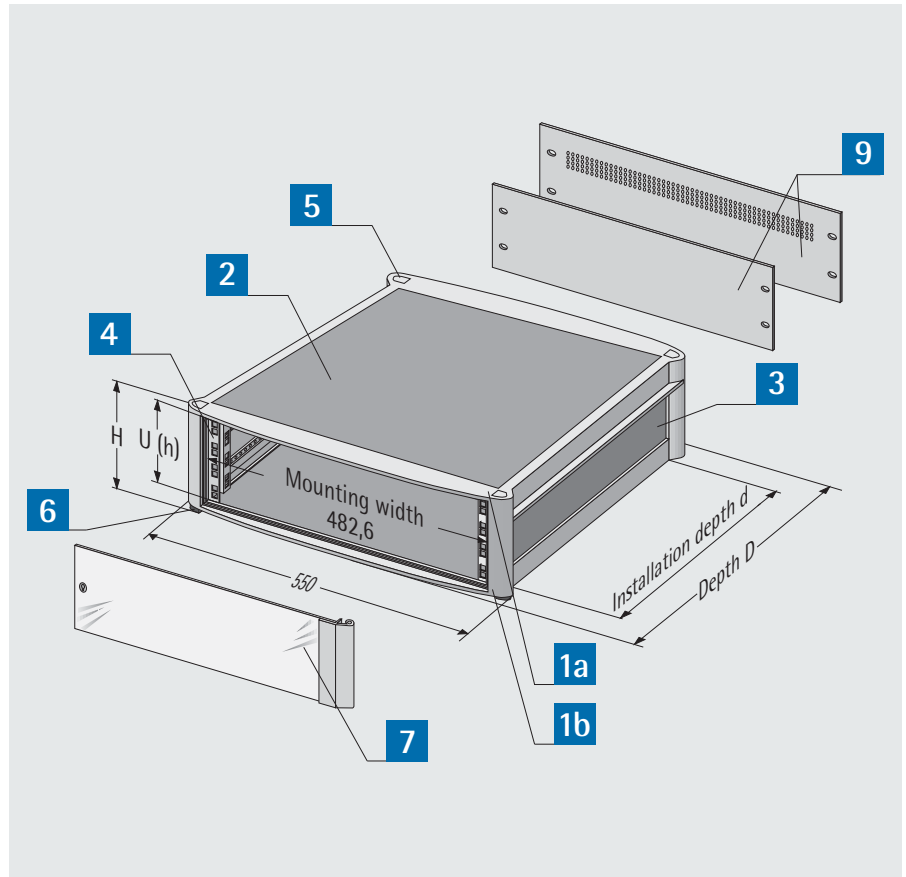
Delivery:

assembled

Standard

installation dimensions acc. to IEC 60297-3-100

Delivery: assembled



Available components

Item	Description
1a	Front frame with side handle bar
1b	Bottom frame
2	Top/ bottom panel
3	Side panel
4	Vertical mounting
5	Screw blind
6	Enclosure foot
7	Viewing door with sash fastener
8	Blind cover set (without fig.)
9	Rear panel (ventilated/closed)



19" enclosure



Delivery

Item	Pc.	Description
1a	1	Front frame with side handle bar
1b	1	Bottom frame
2	2	Top/bottom panel
3	2	Side panel
4	4	Vertical mounting
5	4	Screw blind
6	4	Enclosure foot

19" enclosure with viewing door



Delivery

Item	Pc.	Description
1a	1	Front frame with side handle bar
1b	1	Bottom frame
2	2	Top/bottom panel
3	2	Side panel
4	4	Vertical mounting
5	4	Screw blind
6	4	Enclosure feet
7	1	Viewing door with sash fastener
8	1	Blind cover set

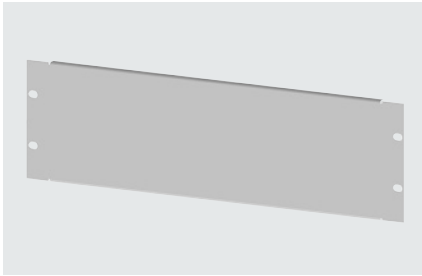
Enclosures with a door have an 50 mm shorter installation depth because the mounting brackets are recessed. Doors in standard version are hinged on the right side, but can also be hinged on the left side upon request.

Order data and dimensions

Enclosure depth (D) mm	Installation depth (d) mm	Enclosure height U	Enclosure height (H) mm	Installation height (h) mm	Order no. 19" enclosure	Order no. Sliding rail for 19" enclosure	Order no. 19" enclosure with viewing door	Order no. Sliding rail for 19" enclosure with viewing door
525	450	3	170,6	132,5	160-503-10	160-012-52	160-503-60	160-012-56
		4	215,1	177	160-504-10		160-504-60	
		6	304,1	266	160-506-10		160-506-60	
		9	437,1	399	160-509-10		160-509-60	
625	550	4	215,1	177	160-604-10	160-012-62	160-604-60	160-012-66
		6	304,1	266	160-606-10		160-606-60	
		9	437,1	399	160-609-10		160-609-60	
		12	570,6	532,5	160-612-10		160-612-60	
		15	703,3	667	160-615-10		160-615-60	
		18	836,8	800	160-618-10		160-618-60	



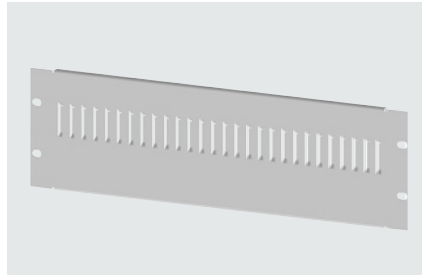
Rear panel, solid



Material: aluminium 1.5 mm
Finish: RAL 7035 light grey

Installation height U	Order no.
2	150-702
3	150-703
4	150-704
5	150-705
6	150-706
9	150-709

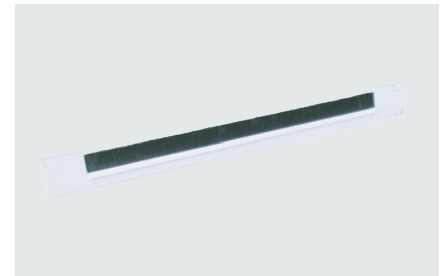
Rear panel, ventilated



Material: aluminium 1.5 mm
Finish: RAL 7035 light grey

Installation height U	Order no.
2	150-712
3	150-713
4	150-714
5	150-715
6	150-716
9	150-719

19" cable duct 1 U



- for cable entry
- mounting to a 19" level

Material: sheet steel 1.25 mm
Finish: RAL 7035 light grey
Dimensions (H x W x D):
44 x 482,6 x 12 mm

Order no.
213-146-00

Shelf, fixed



Load capacity: 30 kg
Finish: RAL 7035 light grey

Shelf, extractable



Load capacity: 30 kg
Finish: RAL 7035 light grey

Carrying handle



Load capacity: 50 kg / pair
Finish: RAL 7035 light grey
Delivery: mounted to enclosure

*For use with 50 mm recessed vertical mountings

Description	Order no.
for D=525 mm	160-015-40
for D=525 mm	160-015-80*
for D=625 mm	160-015-30
for D=625 mm	160-015-70*

Description	Order no.
for D=525 mm	160-015-20
for D=625 mm	160-015-10

Description	Order no. (pair)
for D=525 mm	160-014-45
for D=625 mm	160-014-46

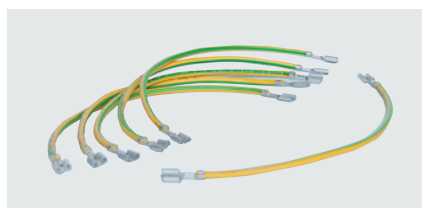
Castor set



- 4 steering rollers, 2 with parking
 - assembly material included
 - wheel diameter: 50 mm
 - load capacity: 120 kg
- Delivery:** mounted to enclosure

Order no. (set)
160-014-80

Earthing kit



- allows an earthing of all cabinet components acc. to VDE

For installation height	Order no. (set)
3 - 6 U	160-033-10
9 - 15 U	160-039-10
18 U	160-048-10

M5 screw set



- Delivery:**
- 50 oval head screws M 5 x 12
 - 50 cage nuts M 5 x 12
 - 50 decorative washers M 5 with collar

Order no. (set)
630-991



Probably the „fastest“ enclosure in the world

Sample configuration

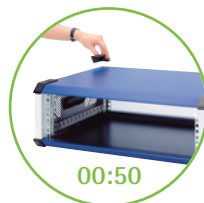
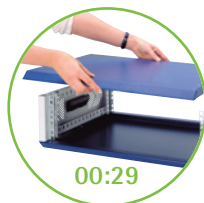
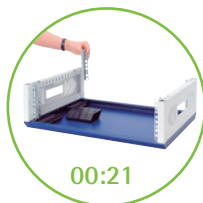
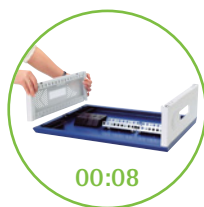
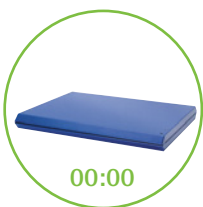


Vitaro®



19" enclosure system **Vitaro**

Vitaro can be assembled within less than 60 seconds:

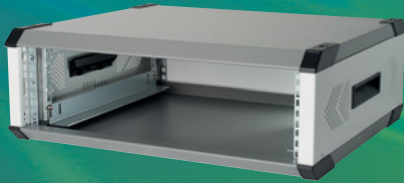


- universal enclosure system:
 - 19" enclosure
 - universal enclosure
 - wall-mounting enclosure
- extremely short assembly time
- no screws required for assembly due to special fixing system*
- attractive design
- light aluminium construction
- stackable
- integrated handles
- assembly kit system requiring minimum storage and transportation space
- various expansion options
- modular accessories
- protection system IP 20
- special models available on request

* Enclosure can also be assembled using screws additionally.



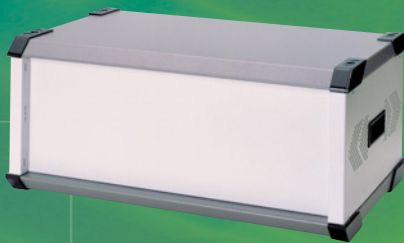
One basic enclosure, three options



Model 1: 19" enclosure 3/4/6 U

The enclosure has vertical mountings that are inserted without tools and is ready for you to install 19" components.

Installation dimensions comply with IEC 60297-3-100



Model 2: Universal enclosure

We can customise this universal enclosure to your requirements on request, whether you require stamps, embossing or printing.



Model 3: Wall-mounting enclosure

You can use a wall mounting set (see page 35) to transform enclosure models 1 or 2 into a wall-mounting enclosure.



Vitaro basic enclosure

Application:

can be used as a 19" enclosure, wall-mounting enclosure or universal enclosure for customised use; ideal for installing 19" components acc. to IEC 60297-3-100 and 297-3-101.

Construction:

aluminium shell construction with plug-in tab system; no tools required for assembly. 4 screws can be used for extra security (included in delivery).

Material:

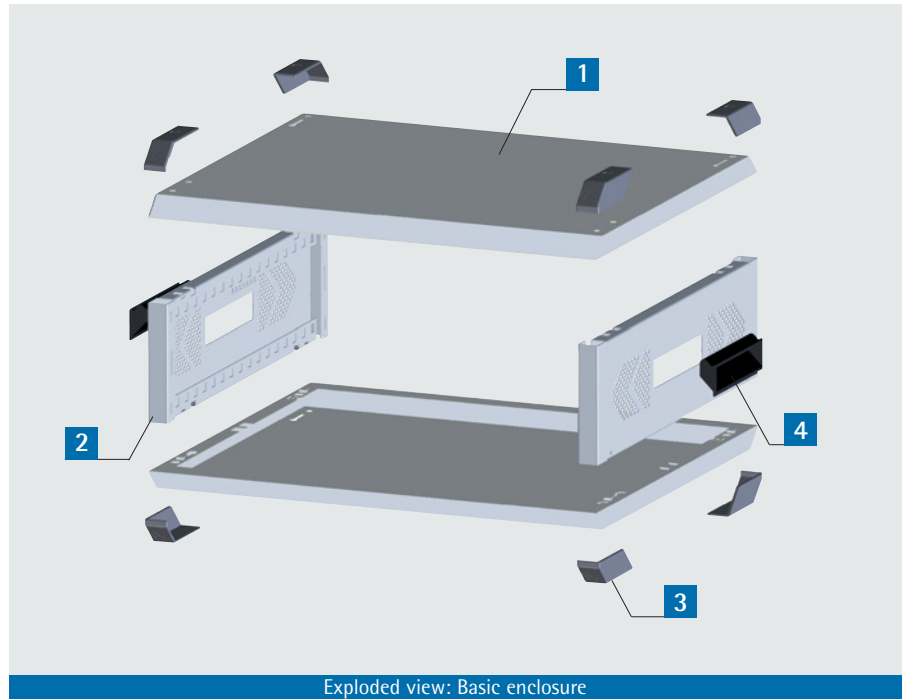
top/ bottom panels: aluminium 1.5 mm
side panels: aluminium 1.2 mm

Finish:

top/bottom panels:
RAL 7037 dust grey
side panels:
RAL 7035 light grey

Degree of protection:

IP 20



Installation depth $d=D-46$ mm, enclosure width $W = 537$ mm. Additional enclosure sizes (e.g. 84 HP, 63 HP, 42 HP) are available on request.

Delivery

Item	Pc.	Description
1	2	Top/ bottom panels
2	2	Side panels
3	8	Decorative corners, stackable
4	1	Assembly set: 4 enclosure feet, 2 handles, 4 retaining screws

D mm	Description	Order no.
350	Basic enclosure 3 U	195-313-00
450		195-413-00
550		195-513-00
350	Basic enclosure 4 U	195-314-00
450		195-414-00
550		195-514-00
350	Basic enclosure 6 U	195-316-00
450		195-416-00
550		195-516-00

Vitaro expansion kit 19" enclosure

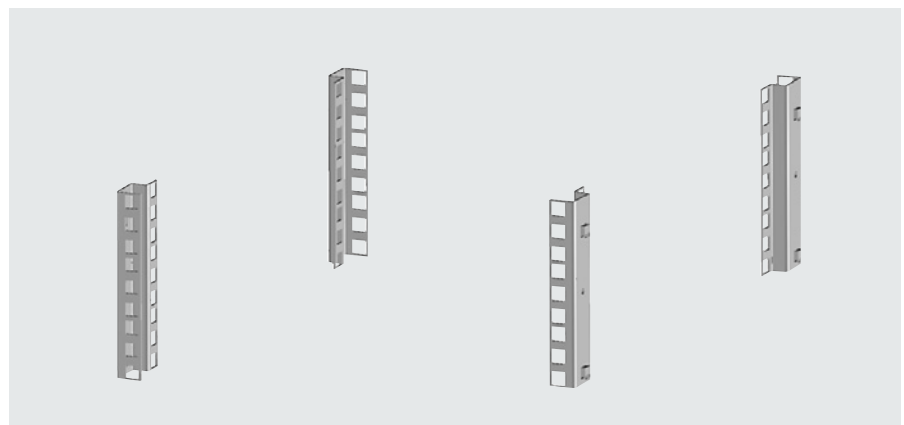
The basic enclosure can be transformed into a full 19" enclosure using plug-in vertical mountings. No tools are required.

Material:

sheet steel 1.5 mm

Finish:

galvanised



Please order rear panel separately (see page 34).

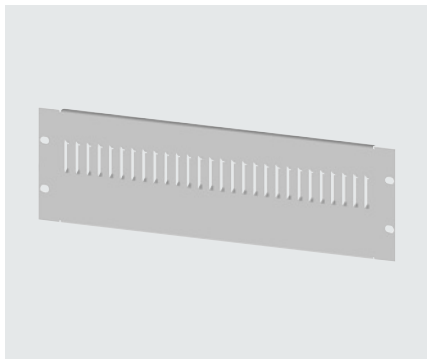
Delivery

Item	Pc.	Description
1	4	Vertical mounting

Expansion kit	Order no.
3 U	195-053-00
4 U	195-054-00
6 U	195-056-00



19" rear panel



- ventilated or closed
- assembly material included

Material:

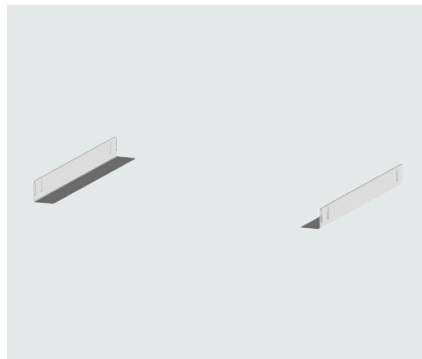
aluminium 1.5 mm

Finish:

RAL 7035 light grey

Height	Feature	Order no.
3 U	not ventilated	195-023-00
	ventilated	195-023-10
4 U	not ventilated	195-024-00
	ventilated	195-024-10
6 U	not ventilated	195-026-00
	ventilated	195-026-10

Sliding rails, adjustable height



- assembly material included

Material:

sheet steel 1.5 mm

Finish:

galvanised

Load capacity:

15 kg/ pair

Description	Order no.
for D=350 mm	195-382-00
for D=450 mm	195-482-00
for D=550 mm	195-582-00

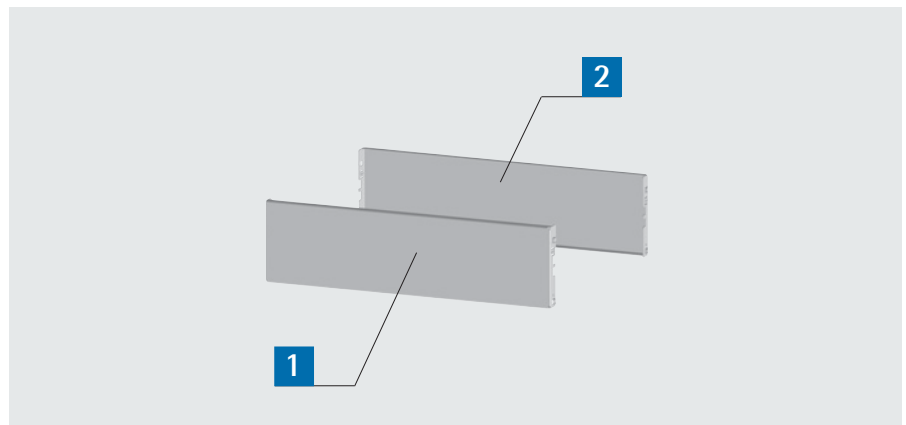
Vitaro expansion set universal enclosure

You can customise our basic enclosure using **customised front and rear panels** (screens, stamps, embossing).

You can find plug-in installation / mounting plates for horizontal and vertical installation in the accessories section on page 35.

Delivery

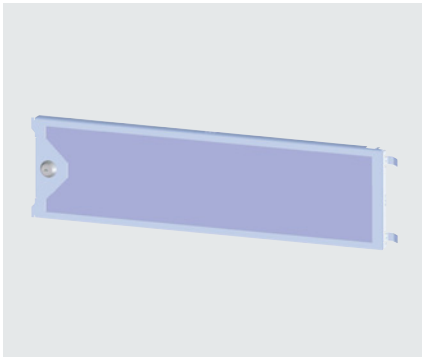
Item	Pc.	Description
1	1	Front panel, plug-in
2	1	Rear panel, plug-in



Expansion kit	Order no.
3 U	195-063-00
4 U	195-064-00
6 U	195-066-00



Door with plexiglas pane, plug-in



- with plexiglas pane and cylinder sash fastener
- demountable without tools

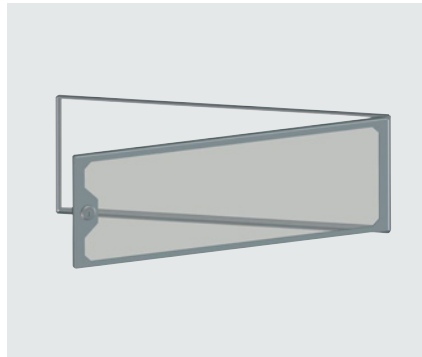
Material:

stackable door: aluminium 1.5 mm
door: plexiglas

Finish: RAL 7035 light grey

Description	Order no.
3 U	195-073-00
4 U	195-074-00
6 U	195-076-00

Swing door with frame



- to be screwed onto the enclosure
- with plexiglas pane and cylinder sash fastener

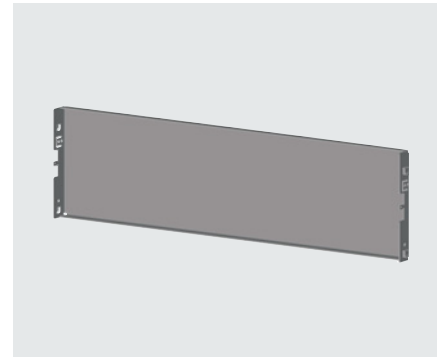
Material:

frame: sheet steel 2 mm
swing door: aluminium 1.5 mm
door: plexiglas 4.0 mm

Finish: RAL 7035 light grey

Description	Order no.
3 U	195-073-12
4 U	195-074-12
6 U	195-076-12

Mounting plate, plug-in



- for vertical mounting
- can be inserted at different depths

Material: aluminium 1.5 mm

Finish: RAL 7035 light grey

The mounting plate 3 U can also be installed horizontally in all enclosure sizes as a shelf.

Description	Order no.
3 U	195-063-02
4 U	195-064-02
6 U	195-066-02

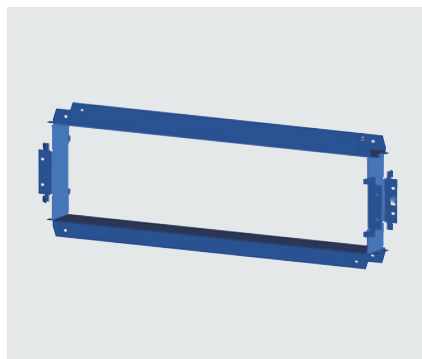
Earthing set



- for earth connection of all enclosure parts acc. to VDE

Description	Order no.
for 19" enclosure	195-080-10
for desktop enclosure	195-080-12
for universal enclosure	195-080-12

Blind cover set



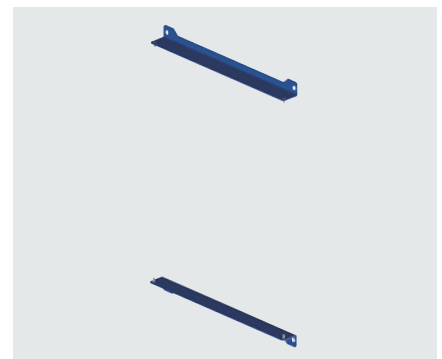
- for extension components installed 50 mm towards the rear
- 2 horizontal and 2 vertical panels included
- self-locking, no assembly material required

Material: aluminium 1.0 mm

Finish: RAL 7035 light grey

Description	Order no.
3 U	195-083-10
4 U	195-084-10
6 U	195-086-10

Wall mounting set



- fits all Vitaro models
- no tools required for mounting brackets to the enclosure

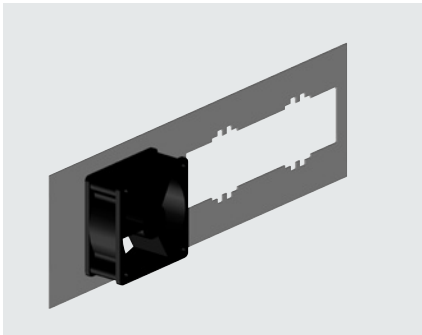
Material: sheet steel 2.0 mm

Finish: RAL 7035 light grey

Description	Order no.
for D=350 mm	195-380-00
for D=450 mm	195-480-00
for D=550 mm	195-580-00



Fan support with 12 V fan



- plugs into the side wall
- high-quality PAPST-fan
- flow rate: 40 m³/h
- noise level: 40 dB (A)

Material: aluminium 1.0 mm

Description	Order no.
for D=350 mm	195-380-10
for D=450 mm for D=550 mm	195-480-10

Screw set M 5 (50-fold)



- necessary for mounting of 19" components into enclosures
- included in delivery:
 - 50 oval head screws M 5 x 12
 - 50 cage nuts M 5 - 8
 - 50 decorative washers M 5 with collar, flattened

Order no.
630-991

Prop-up and carrying handle



- handle can be set in 30° steps by pressing a button to snap it into place

Finish:

handle: RAL 9011 graphite black
handle extrusion: anodised
button, screw blind: plastics, black

Load capacity:

50 kg

Order no.
195-080-30

Front panel fixing (50-fold)



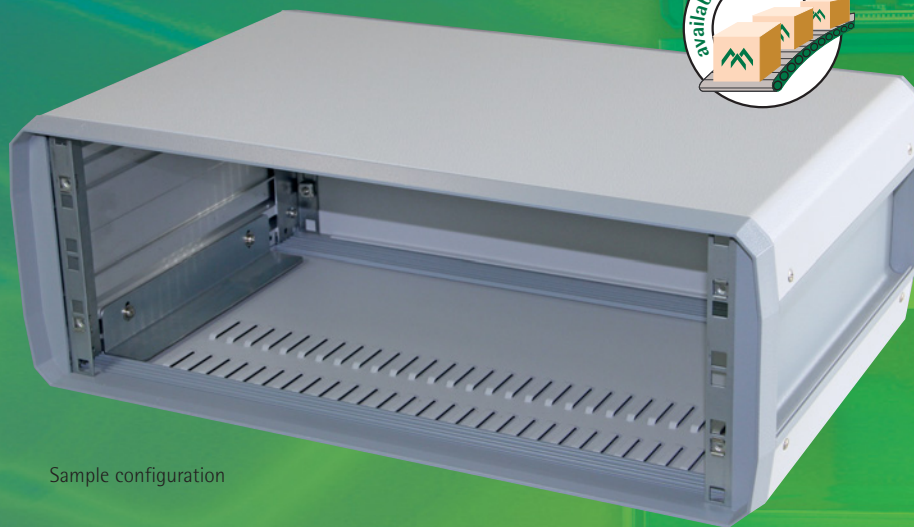
- no cage nuts required
- to mount lightweight 19" components such as dummy or front panels
- clamping range (front panel + grid): 4 - 6 mm
- consisting of:
 - 50 lens head screws M 5 x 12
 - 50 washers for screws M 5, flattened

Order no.
630-991-10



Universal enclosure system for use as
19" enclosure and as desktop enclosure

apra line




Sample configuration


19" enclosure system **apra line**

apraLine has a future-oriented design and optimum functionality. Its elegant lines set it apart from the usual rectangular shaped enclosures.

The apraLine product family is completed by a desktop enclosure with the same design (see the section on desktop enclosures on page 149).

- ergonomic recessed handles
- easy-to-maintain and cost-saving design principle: all facing panels can be easily removed from the assembled enclosure
- optimum heat dissipation due to ventilated bottom and back pieces
- earthing kit for VDE-compliant earth connection acc. to DIN EN 60204 part 1 and DIN 46008
- installation dimensions acc. to IEC 60297-3-100

Matching 19" plug-in units  page 65

Matching 19" subracks  page 79



19" enclosure system apra line

Application:

19" plug-in units, shelves and 19" sub-racks can be installed in the enclosure.

Construction:

the identical front and rear frames with a variable width consist of two lateral plastic pieces, which are connected with aluminium extrusions.

These frames are connected by solid extrusions and screwed on to the mounting rails. Ergonomic recessed handles and grooves for using mounting nuts are integrated into the extrusions.

Finish:

cover panels:

RAL 7035 light grey

frame and side sections:

RAL 7001 silver grey

Protection system:

IP 30: not ventilated

IP 20: ventilated

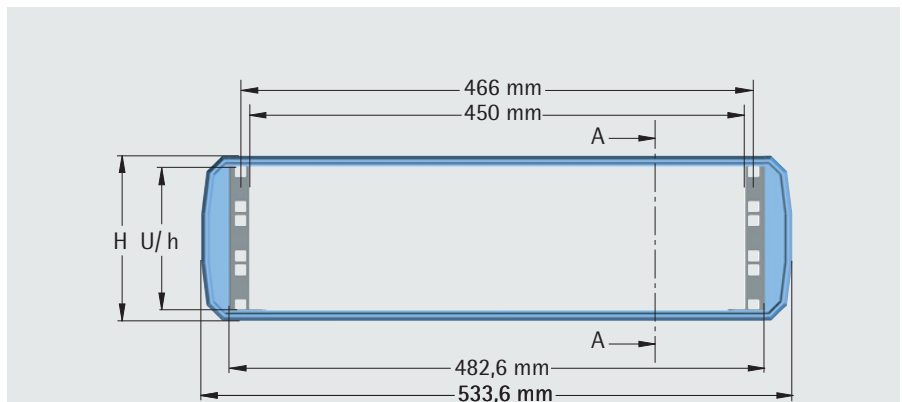
Delivery:

assembled

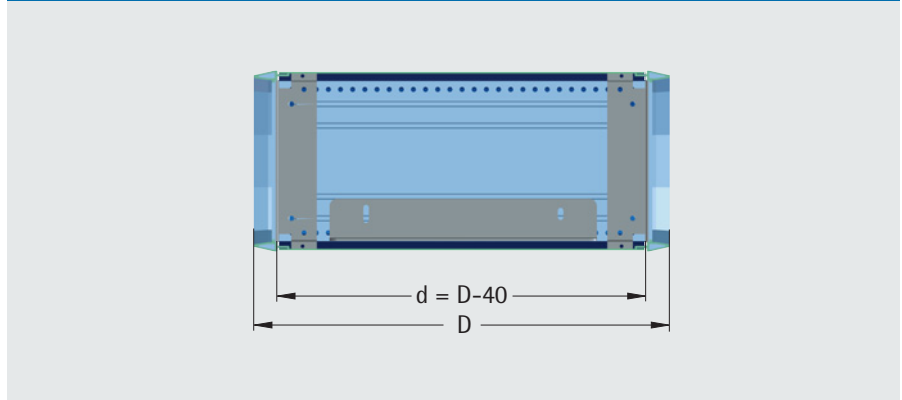
Standard:

installation dimensions acc. to

IEC 60297-3-100



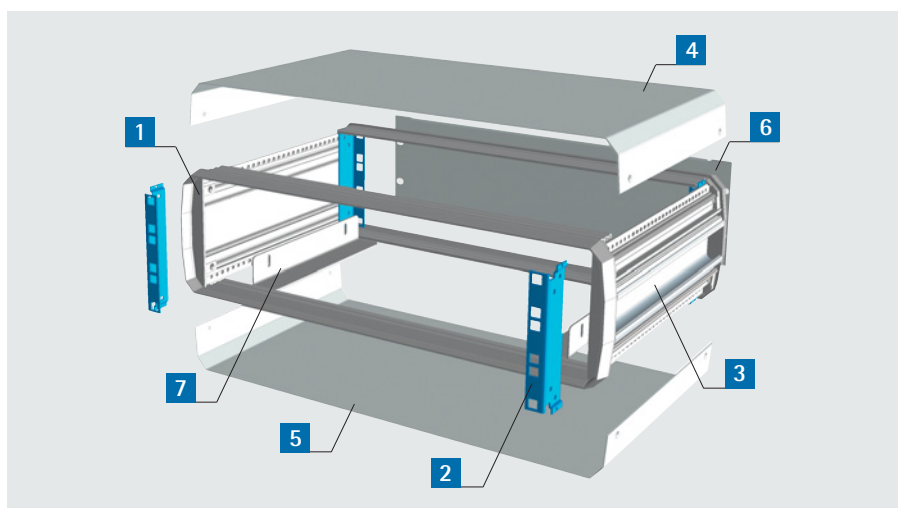
front view
H = enclosure height
U / h = installation height



section A-A
D = enclosure depth
d = installation depth

Delivery

Item	Pc.	Description
1	2	Frames front and rear
2	4	Vertical mountings
3	2	Side panels
4	1	Top panel
5	1	Bottom panel (ventilated/not ventilated)
6	1	Rear panel (ventilated/not ventilated)
7	2	Sliding rails (beginning at 3 U)
8		Assembly material

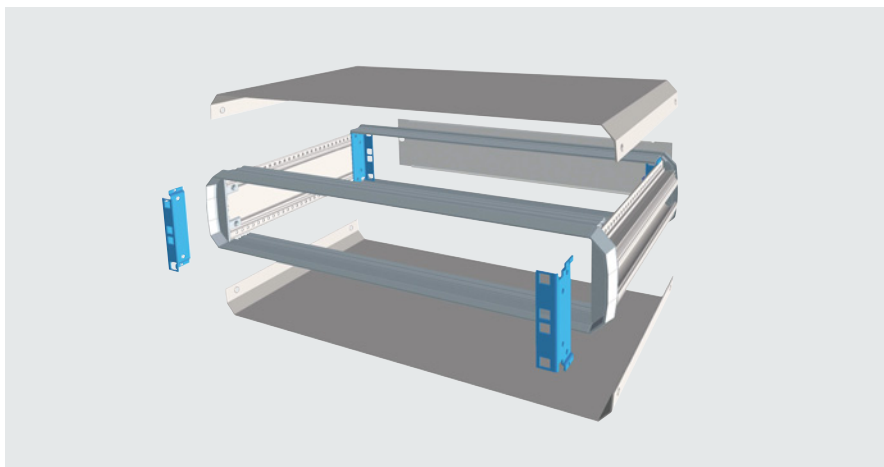




19" enclosure 2 U

Delivery

Item	Pc.	Description
1	2	Frames front and rear
2	4	Vertical mountings
3	2	Side panels
4	1	Top panel
5	1	Bottom panel (ventilated/not ventilated)
6	1	Rear panel (ventilated/not ventilated)
8		Assembly material

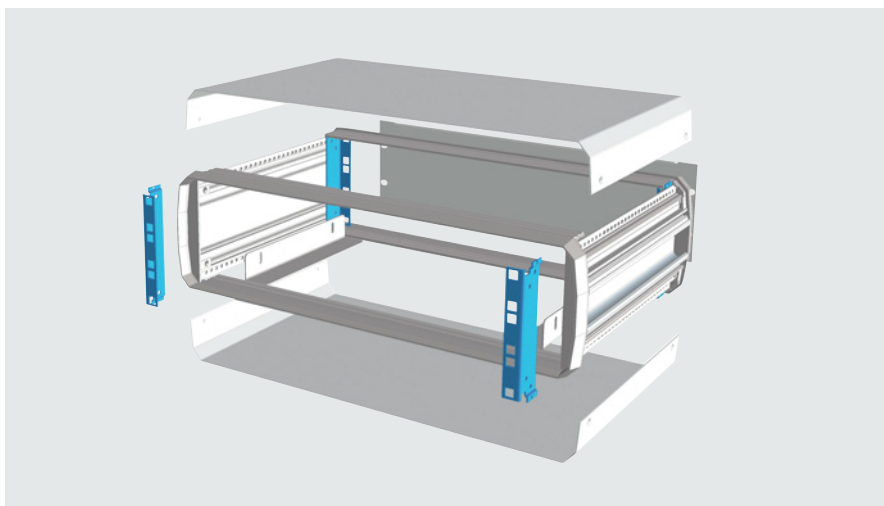


D mm	d mm	Description	Enclosure height H mm	Order no.
262	222	not ventilated	105	140-201
262	222	ventilated in rear and bottom panel	105	140-251
302	262	not ventilated	105	140-211
302	262	ventilated in rear and bottom panel	105	140-261

19" enclosure 3 U

Delivery

Item	Pc.	Description
1	2	Frames front and rear
2	4	Vertical mountings
3	2	Side panels
4	1	Top panel
5	1	Bottom panel (ventilated/not ventilated)
6	1	Rear panel (ventilated/not ventilated)
7	2	Sliding rails
8		Assembly material



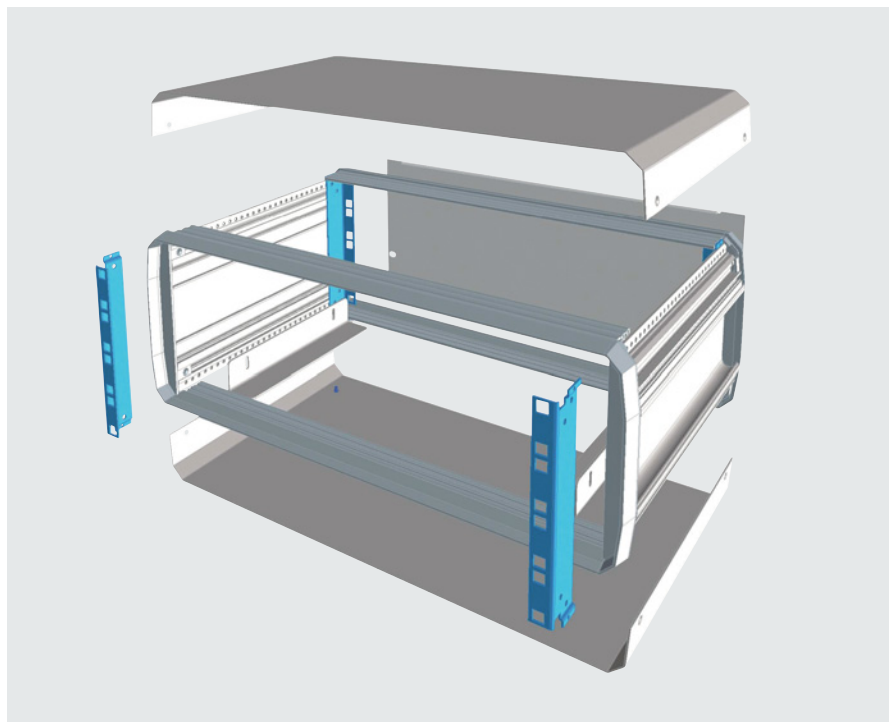
D mm	d mm	Description	Enclosure height H mm	Order no.
262	222	not ventilated	150	140-301
262	222	ventilated in rear and bottom panel	150	140-351
302	262	not ventilated	150	140-311
302	262	ventilated in rear and bottom panel	150	140-361
342	302	not ventilated	150	140-321
342	302	ventilated in rear and bottom panel	150	140-371
382	342	not ventilated	150	140-331
382	342	ventilated in rear and bottom panel	150	140-381
482	442	not ventilated	150	140-341
482	442	ventilated in rear and bottom panel	150	140-391



19" enclosure 4 U

Delivery

Item	Pc.	Description
1	2	Frames front and rear
2	4	Vertical mountings
3	2	Side panels
4	1	Top panel
5	1	Bottom panel (ventilated/ not ventilated)
6	1	Rear panel (ventilated/ not ventilated)
7	2	Sliding rails
8		Assembly material



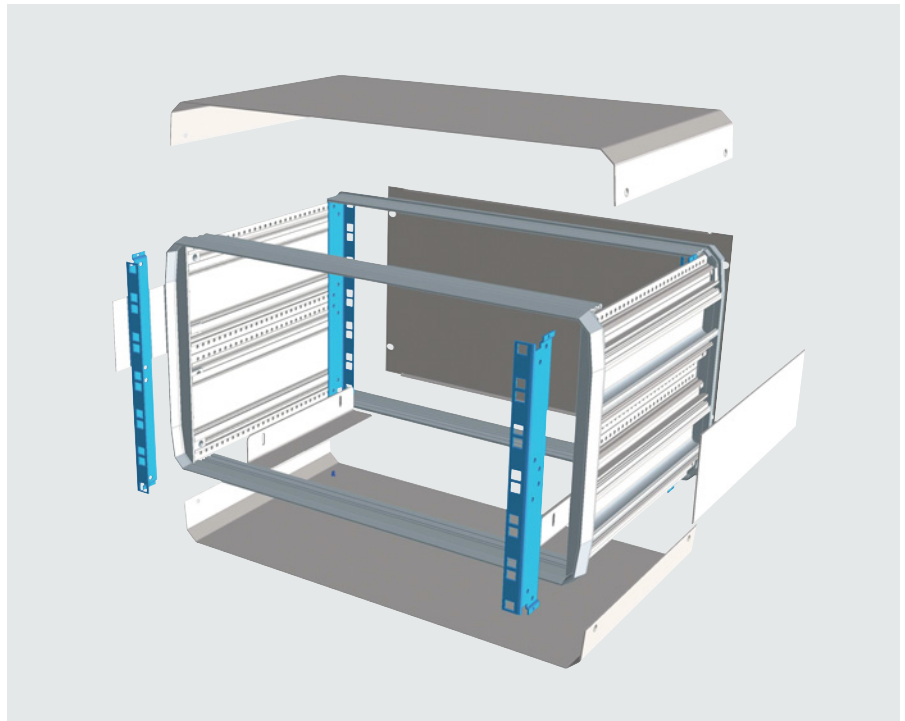
D mm	d mm	Description	Enclosure height H mm	Order no.
262	222	not ventilated	194	140-401
262	222	ventilated in rear and bottom panel	194	140-451
302	262	not ventilated	194	140-411
302	262	ventilated in rear and bottom panel	194	140-461
342	302	not ventilated	194	140-421
342	302	ventilated in rear and bottom panel	194	140-471
382	342	not ventilated	194	140-431
382	342	ventilated in rear and bottom panel	194	140-481
482	442	not ventilated	194	140-441
482	442	ventilated in rear and bottom panel	194	140-491



19" enclosure 6 U

Delivery

Item	Pc.	Description
1	2	Frames front and rear
2	4	Vertical mountings
3	2	Side panels
4	1	Top panel
5	1	Bottom panel (ventilated/not ventilated)
6	1	Rear panel (ventilated/not ventilated)
7	2	Sliding rails
8		Assembly material



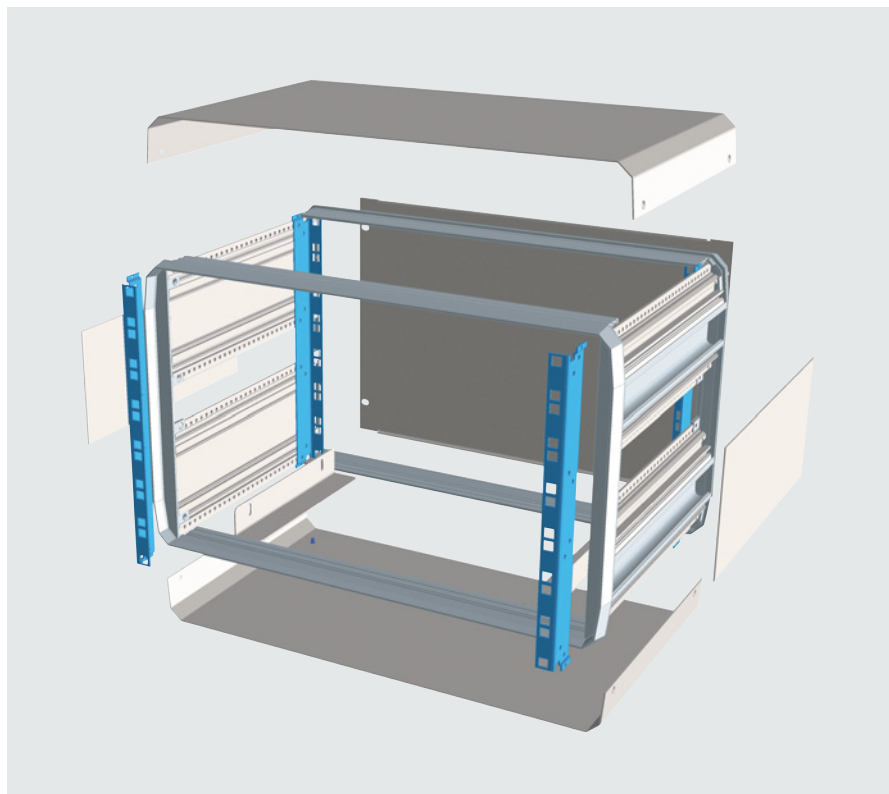
D mm	d mm	Description	Enclosure height H mm	Order no.
262	222	not ventilated	283	140-601
262	222	ventilated in rear and bottom panel	283	140-651
302	262	not ventilated	283	140-611
302	262	ventilated in rear and bottom panel	283	140-661
342	302	not ventilated	283	140-621
342	302	ventilated in rear and bottom panel	283	140-671
382	342	not ventilated	283	140-631
382	342	ventilated in rear and bottom panel	283	140-681
482	442	not ventilated	283	140-641
482	442	ventilated in rear and bottom panel	283	140-691



19" enclosure 7 U

Delivery

Item	Pc.	Description
1	2	Frames front and rear
2	4	Vertical mountings
3	2	Side panels
4	1	Top panel
5	1	Bottom panel (ventilated/not ventilated)
6	1	Rear panel (ventilated/not ventilated)
7	2	Sliding rails
8		Assembly material



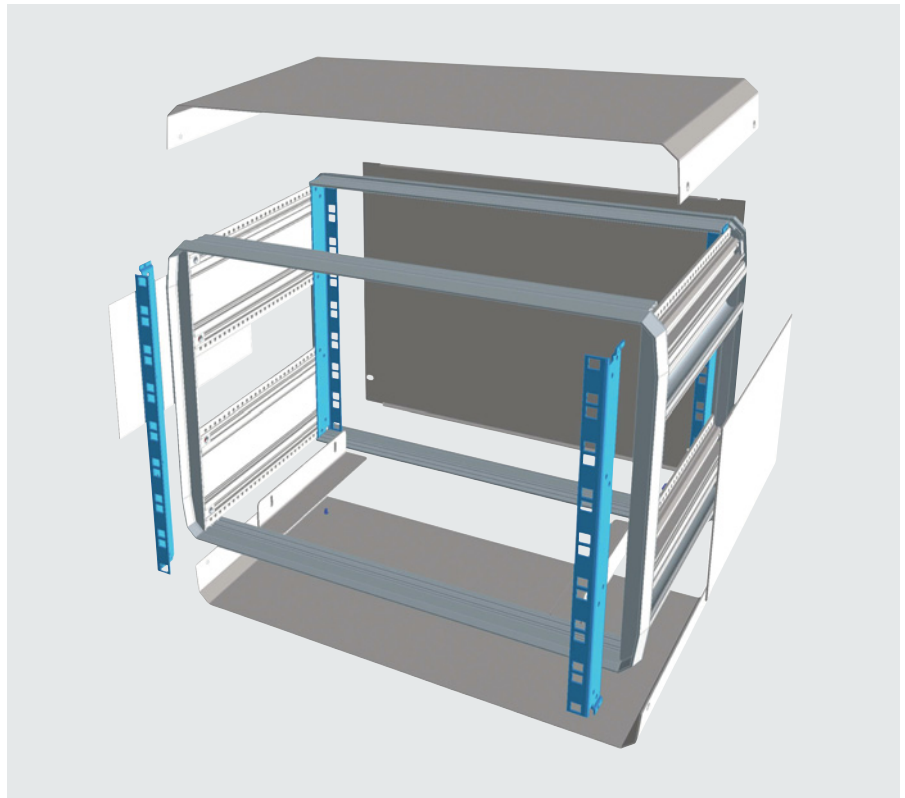
D mm	d mm	Description	Enclosure height H mm	Order no.
342	302	not ventilated	328	140-721
342	302	ventilated in rear and bottom panel	328	140-771
382	342	not ventilated	328	140-731
382	342	ventilated in rear and bottom panel	328	140-781
482	442	not ventilated	328	140-741
482	442	ventilated in rear and bottom panel	328	140-791



19" enclosure 8 U

Delivery

Item	Pc.	Description
1	2	Frames front and rear
2	4	Vertical mountings
3	2	Side panels
4	1	Top panel
5	1	Bottom panel (ventilated/not ventilated)
6	1	Rear panel (ventilated/not ventilated)
7	2	Sliding rails
8		Assembly material



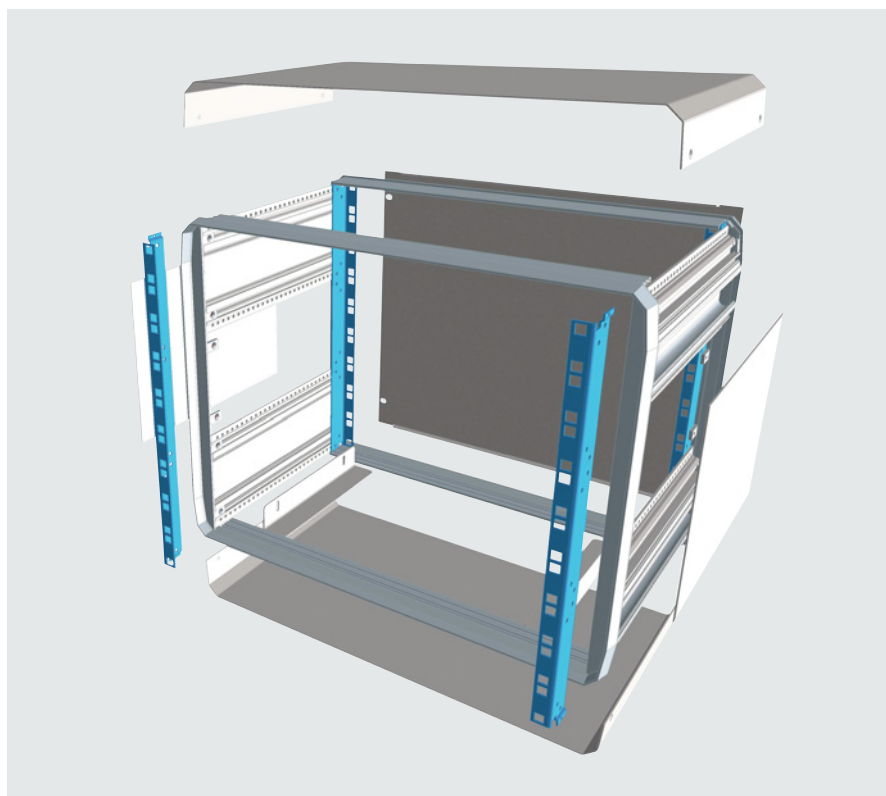
D mm	d mm	Description	Enclosure height H mm	Order no.
262	222	not ventilated	372	140-801
262	222	ventilated in rear and bottom panel	372	140-851
302	262	not ventilated	372	140-811
302	262	ventilated in rear and bottom panel	372	140-861
342	302	not ventilated	372	140-821
342	302	ventilated in rear and bottom panel	372	140-871
382	342	not ventilated	372	140-831
382	342	ventilated in rear and bottom panel	372	140-881
482	442	not ventilated	372	140-841
482	442	ventilated in rear and bottom panel	372	140-891



19" enclosure 9 U

Delivery

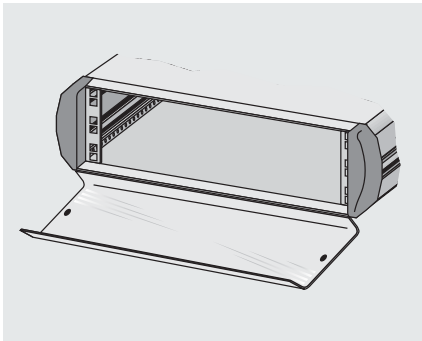
Item	Pc.	Description
1	2	Frames front and rear
2	4	Vertical mountings
3	2	Side panels
4	1	Top panel
5	1	Bottom panel (ventilated/not ventilated)
6	1	Rear panel (ventilated/not ventilated)
7	2	Sliding rails
8		Assembly material



D mm	d mm	Description	Enclosure height H mm	Order no.
262	222	not ventilated	416,50	140-901
262	222	ventilated in rear and bottom panel	416,50	140-951
302	262	not ventilated	416,50	140-911
302	262	ventilated in rear and bottom panel	416,50	140-961
342	302	not ventilated	416,50	140-921
342	302	ventilated in rear and bottom panel	416,50	140-971
382	342	not ventilated	416,50	140-931
382	342	ventilated in rear and bottom panel	416,50	140-981
482	442	not ventilated	416,50	140-941
482	442	ventilated in rear and bottom panel	416,50	140-991



Plexiglas front door, hinged

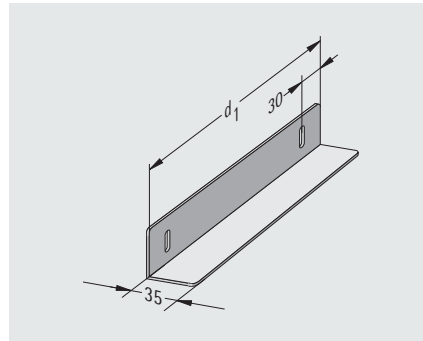


- with 2 quick-release locks

Delivery:

mounted to the enclosure

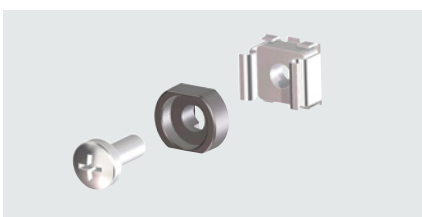
Sliding rails



for 8 U-high enclosures: please specify order no. followed by -01 when ordering (for example, 140-020-01)

Description	Install. depth d1 mm	Order no.
for D=262 mm	140	140-020
for D=342 mm	220	140-022
for D=482 mm	360	140-024

Screw set M 5 (50-fold)



- necessary for mounting of 19" components into enclosures
- included in delivery:
 - 50 oval head screws M 5 x 12
 - 50 cage nuts M 5 - 8
 - 50 decorative washers M 5 with collar, flattened

Order no.
630-991

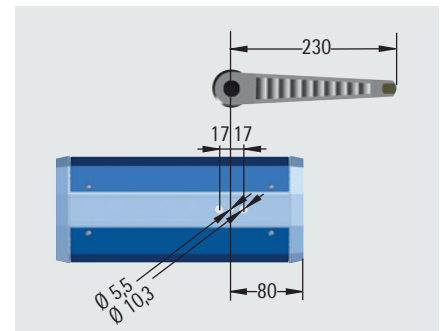
Front panel fixing (50-fold)



- no cage nuts required
- to mount lightweight 19" components such as dummy or front panels
- clamping range (front panel + grid): 4 - 6 mm
- consisting of:
 - 50 lens head screws M 5 x 12
 - 50 washers for screws M 5, flattened

Order no.
630-991-10

Prop-up and carrying handle



Hole pattern for handle mounting

- handle can be set in 30° steps by pressing a button to snap it into place

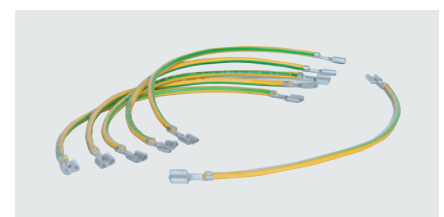
Finish: RAL 9011 graphite black

Load capacity: 50 kg

Delivery: mounted to the enclosure

Order no.
140-100-84

Earthing kit



- for earthing of all enclosure parts in compliance with VDE

Installation height U	Order no.
2	140-032
3	140-033
4	140-034
6	140-036
7	140-037
8	140-038
9	140-039



Reliable quality – optimum protection

apraTEK





19" enclosure system **apraTEK**

- high functionality
- perfect for mechanical engineering applications
- practical flip-up handles
- protection system IP20
- can either be used as 19" enclosure or 19" stand-alone enclosure
- skid-proof feet
- high stability
- ventilated rear and bottom panel
- installation dimensions acc. to IEC 60297-3-100

An optimised combination of functionality and economy characterise this enclosure system apraTEK.

Designed for high loads, the enclosure's construction with welded 19" mountings makes the apraTEK perfect for the use in rough industrial environments, either as enclosure or as a cabinet system (up to 20 U).

Matching 19" plug-in units  page 65

Matching 19" subracks  page 79



19" enclosure system apraTEK

Application:

19" plug-in units, shelves and 19" sub-racks can be installed in the enclosure. Because the enclosure is available in different sizes up to 20 U, it can also be used as a heavy-duty cabinet system in rough environments.

Construction:

the enclosure has a solid, welded sheet steel covering.

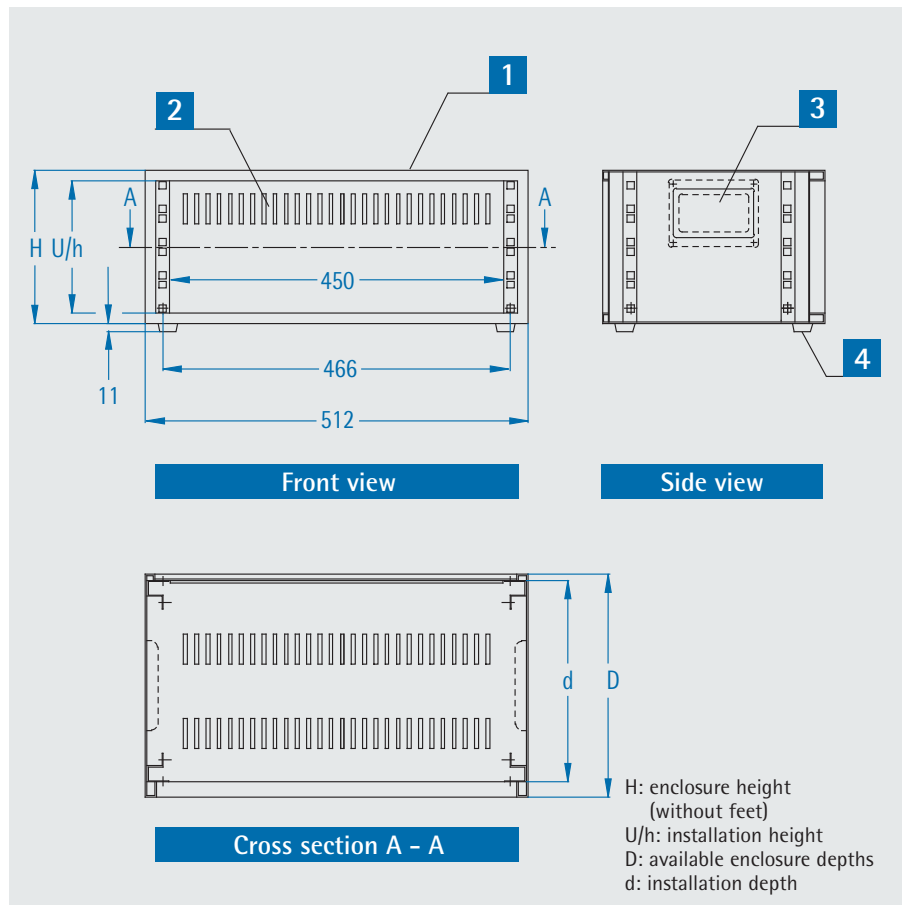
Finish: RAL 7035 light grey

Protection system: IP 20

Standard: installation dimensions acc. to IEC 60297-3-100

Delivery

Item	Pc.	Description
1	1	Base with 4 welded 19" mountings
2	1	Rear panel, ventilated
3	2	Flip-up handle
4	4	Hinged feet
		Assembly material



Installation height		Enclosure height H mm	19" enclosure, ventilated in rear and bottom panel		
U	h mm		d = 270 mm, D = 298 mm	d = 370 mm, D = 398 mm	d = 470 mm, D = 498 mm
3	132,50	160,50	180-223	180-323	-
4	177,00	205,00	180-224	180-324	180-424
5	221,50	249,50	180-225	180-325	180-425
6	266,00	294,00	180-226	180-326	180-426
7	310,50	338,50	180-227	180-327	-
8	354,50	382,50	-	180-328	180-428
9	399,00	427,00	-	180-329	180-429
10	444,50	472,00	-	181-350	181-450
12	533,50	561,50	-	181-352	181-452
14	622,00	650,00	-	181-354	181-454
16	711,00	739,00	-	181-356	181-456
18	800,00	828,00	-	181-358	181-458
20	889,00	917,00	-	181-360	181-460
Sliding rail, 1 Paar (Load capacity: ca. 20 kg)			180-002	180-003	180-004



The enclosure for mobile application

apraLITE



19" enclosure system **apraLITE**

- light, practical aluminium enclosure
- side flip-up handles standard
- protection system IP 30/20
- 1/2 19" version available
- dismantlable
- quick assembly using few screws
- installation dimensions acc. to IEC 60297-3-100

19" enclosure system 179 apraLITE is ideal for mobile use. The light construction and built-in flip-up handles allow easy transportation of this enclosure. Only a few screws are used so, it can be assembled and dismantled quickly.

Matching 19" plug-in units → page 65

Matching 19" subracks → page 79



19" enclosure system apraLITE

Application:

19" plug-in units, shelves and 19" sub-racks can be installed in the enclosure.

Construction:

the enclosure has a simple construction based on side panels with built-in vertical mountings and top and bottom covers that can be assembled quickly.

Finish: RAL 7035 light grey

Protection system:

IP 30: not ventilated

IP 20: ventilated

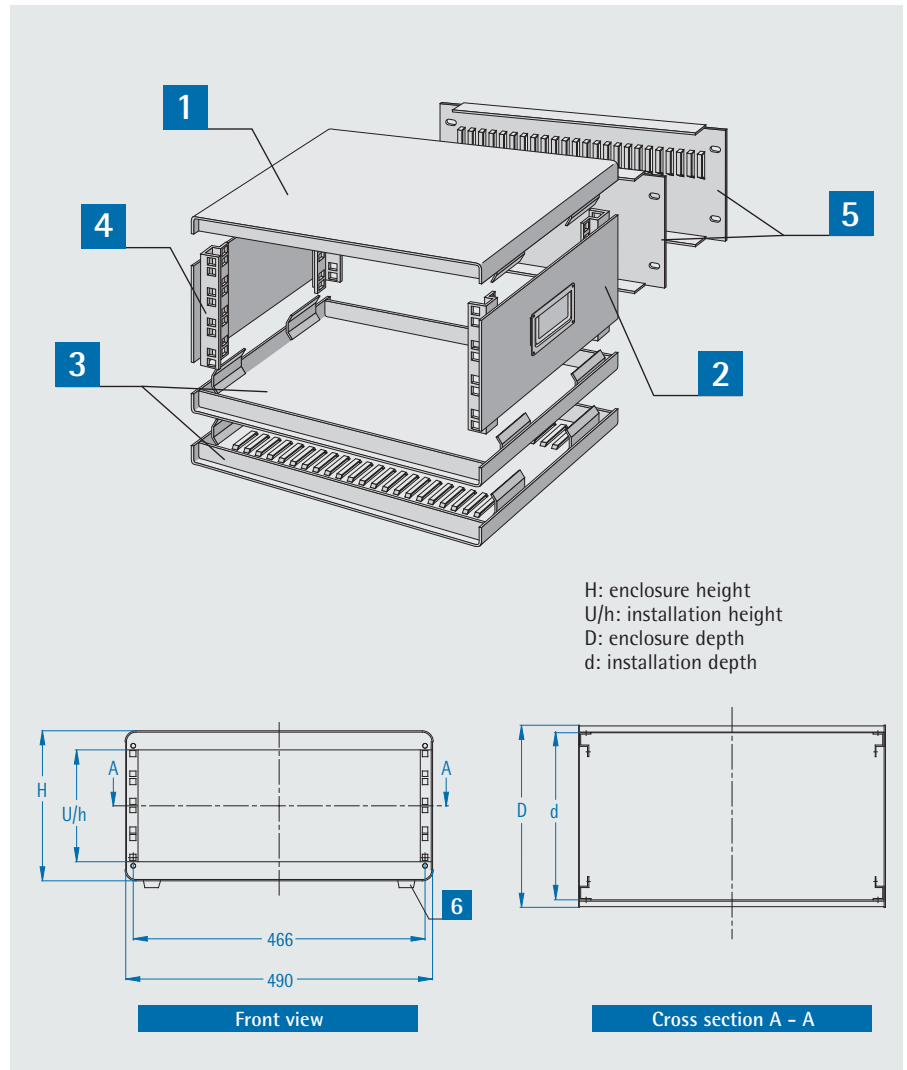
Delivery: not assembled

Standard:

installation dimensions acc. to IEC 60297-3-100

Delivery

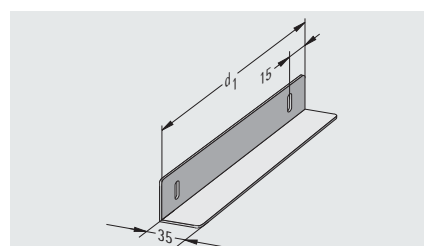
Item	Pc.	Description
1	1	Top panel
2	2	Side panels with handle
3	1	Bottom panel (ventilated/not ventilated)
4	4	Vertical mountings (integrated in side panel)
5	1	Rear panel (ventilated/not ventilated)
6	4	Enclosure feet
7		Assembly material



Installation height U	h mm	Enclosure height H mm	19" enclosure, ventilated in rear and bottom panel			19" enclosure, not ventilated			1/2 19" enclosure, not ventilated	
			d=270 mm D=290 mm	d=370 mm D=390 mm	d=470 mm D=490 mm	d=270 mm D=290 mm	d=370 mm D=390 mm	d=470 mm D=490 mm	d=270 mm D=290 mm	d=370 mm D=390 mm
3	132,5	194,5	179-283	179-383	179-483	179-223	179-323	179-423	179-823	179-923
4	177	239	179-284	179-384	179-484	179-224	179-324	179-424	179-824	179-924
5	221,5	283,5	179-285	179-385	179-485	179-225	179-325	179-425	179-825	179-925
6	266	328	179-286	179-386	179-486	179-226	179-326	179-426	179-826	179-926
9	399	461	179-289	179-389	179-489	179-229	179-329	179-429	179-829	179-929
12	534	596	179-292	179-392	179-492	179-232	179-332	179-432	-	-
15	668	730	179-295	179-395	179-495	179-235	179-335	179-435	-	-
18	801	863	179-298	179-398	179-498	179-238	179-338	179-438	-	-

Sliding rails

Description	Installation depth d1	Order no.
for D=290 mm	240 mm	179-006
for D=390 mm	340 mm	179-007
for D=490 mm	440 mm	179-008



Screw set M 5 (50-fold)

- 50 screws, M5 x 12
- 50 captive nuts, M5-8
- 50 decorative washers, M5 with collar

Order no.
630-991



Tamago

- stylish design
- integrated handle bar
- easy handling
- patented "apra-lock" locking system
- clip-on trim pieces for custom design
- also available as desktop enclosure



BERLIN

- modern design
- light construction
- stackable
- integrated handle bar
- mounting system with adjustable depth



You can find other cabinet systems and enclosures here:

